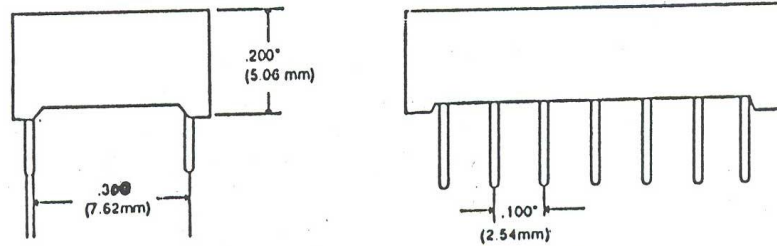
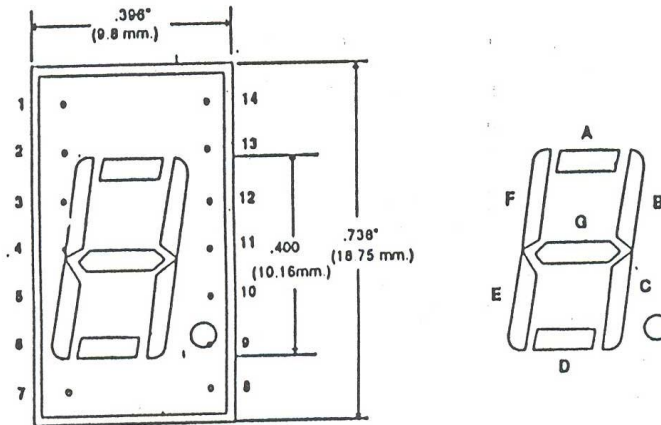


# DIAGRAMA PARA EL DISPLAY DA04-DC04



PIN. NO.	PIN. CONNECTION	
	COMMON ANODE	COMMON CATHODE
1	Cathode A	Anode F
2	Cathode F	Anode G
3	Common Anode	NP
4	NP	Common Cathode
5	NP	NP
6	NC	Anode E
7	Cathode E	Anode D
8	Cathode D	Anode C
9	Cathode DP	Anode DP
10	Cathode C	NP
11	Cathode G	NP
12	NP	Common Cathode
13	Cathode B	Anode B
14	Common Anode	Anode A

UNIT:  $\frac{\text{INCH}}{(\text{MM})}$

TOLERANCE:  $\pm \frac{0.010}{0.25}$

## DA04

